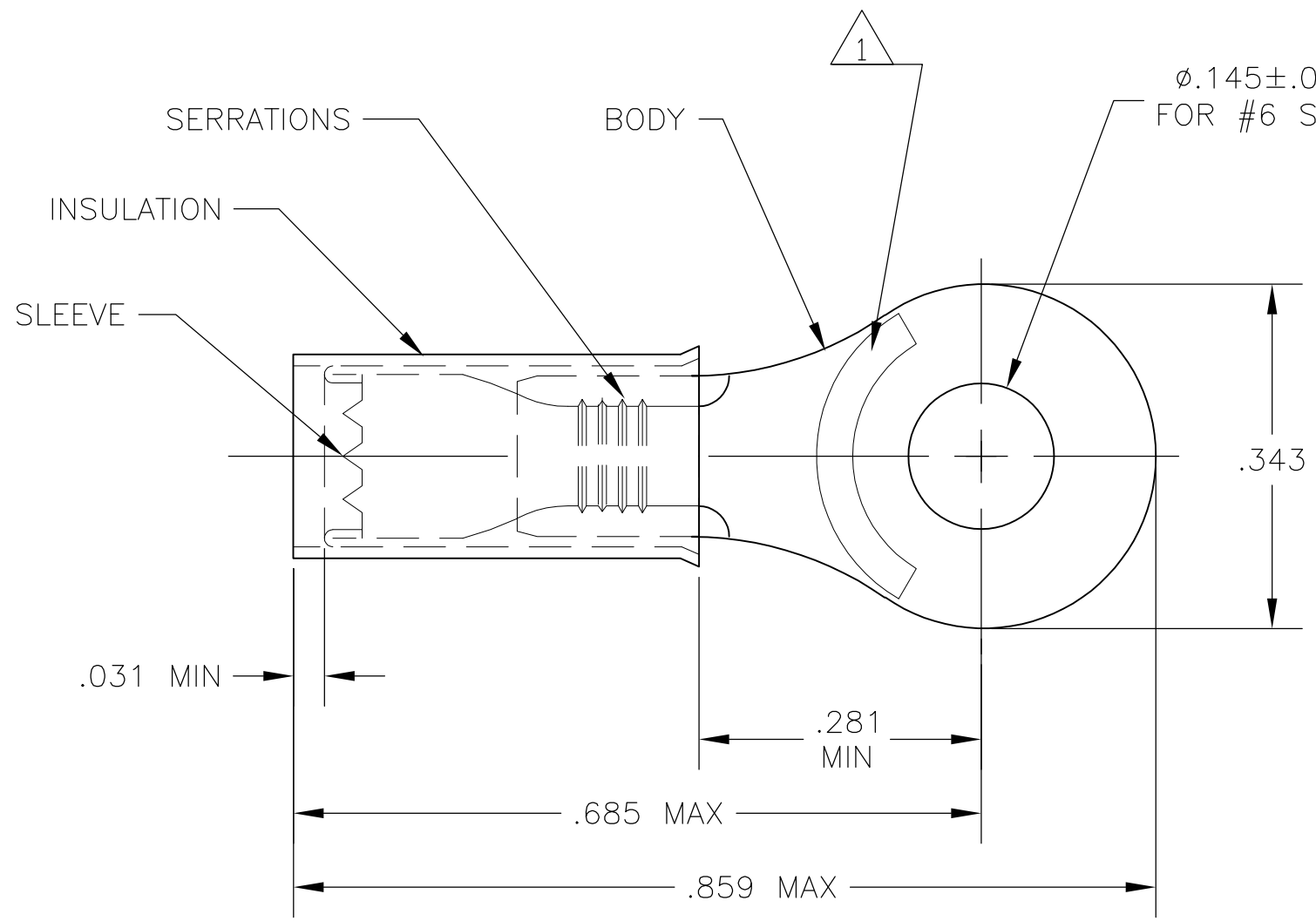



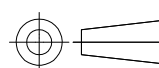
THIS DRAWING IS UNPUBLISHED. RELEASED FOR PUBLICATION  
 © COPYRIGHT - By - ALL RIGHTS RESERVED.

LOC	DIST	REVISIONS			
P	LTR	DESCRIPTION	DATE	DWN	APVD
G	14	G2	REVISED PER ECO-11-005027	11MAR11	RK HMR



- 1 STAMP MAY BE ON TOP OR BOTTOM
- 2 FOR .105 TO .150 WIRE INSULATION DIA.
- 3 MATERIAL TONGUE THK IS  $.031 \pm .002$

36157 ON TAPE	INSULATION: NYLON, COLOR BLUE BODY & SLEEVE:	2-36157-2
WIRE TERMINAL	COPPER PER ASTM B152 TIN PLATE PER ASTM B545	36157
DESCRIPTION	MATERIAL	PART NO

THIS DRAWING IS A CONTROLLED DOCUMENT.		DWN jr_ruth 17MAR09	 TE Connectivity NAME TERMINAL, PIDG RING TONGUE, WIRE SIZE 16-14 AWG	
DIMENSIONS: INCHES		CHK TOM MICHIELUTTI 17MAR09		
		APVD TOM MICHIELUTTI 17MAR09		
TOLERANCES UNLESS OTHERWISE SPECIFIED:		PRODUCT SPEC		
MATERIAL SEE TABLE		FINISH SEE TABLE	APPLICATION SPEC	SIZE A3
			WEIGHT -	CAGE CODE 00779
			DRAWING NO C-36157	
			RESTRICTED TO -	
			SCALE 8:1	
			SHEET 1 OF 1	
			REV G2	